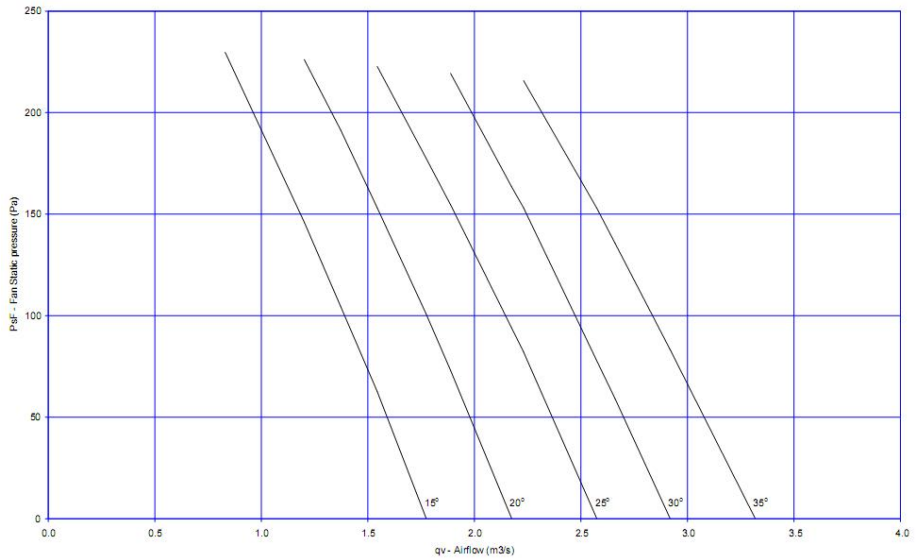


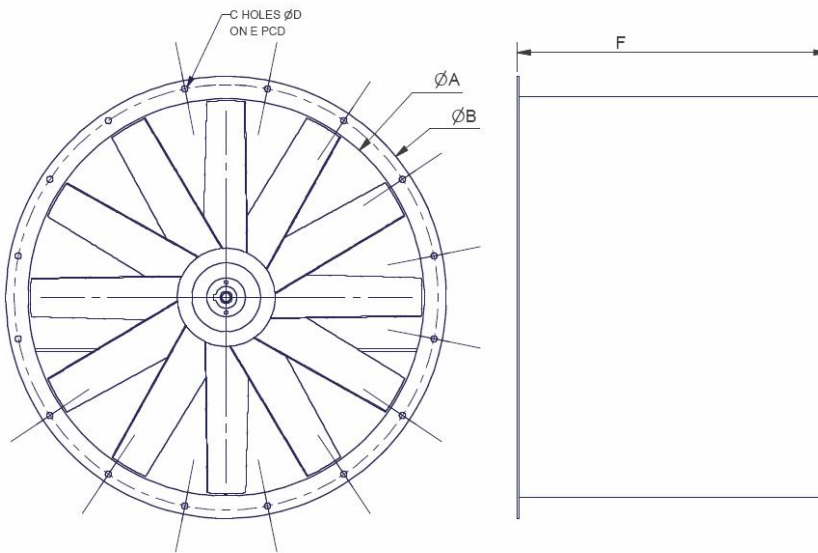
# MODEL: AX-DD 500/4

Motor Speed 1400 RPM  
 Motor enclosure TEFC  
 Number of blades 12  
 Blades Material GRP  
 Casing Galvanised mild steel  
 Power supply 415V 3 phase 50Hz



\* Externally mounted weather proof plastic terminal box  
 \* Performance standard BS 848

Blade Pitch Angle (°)	15	20	25	30	35
Motor Power (kW)	0.37	0.55	0.75	0.75	1.10



A	B	C	D	E	F
500 mm	585 mm	12	12 mm	560 mm	400 mm



[www.fanpro.com.au](http://www.fanpro.com.au)

## Industrial and Commercial Fan Store

Fanpro Pty. Ltd.  
 7/97 Bayfield Road East  
 Bayswater  
 Victoria 3153  
 Australia

Phone: 61 3 9018 7137  
 Fax: 61 3 9720 7133  
 E-mail: [salesdept@fanpro.com.au](mailto:salesdept@fanpro.com.au)